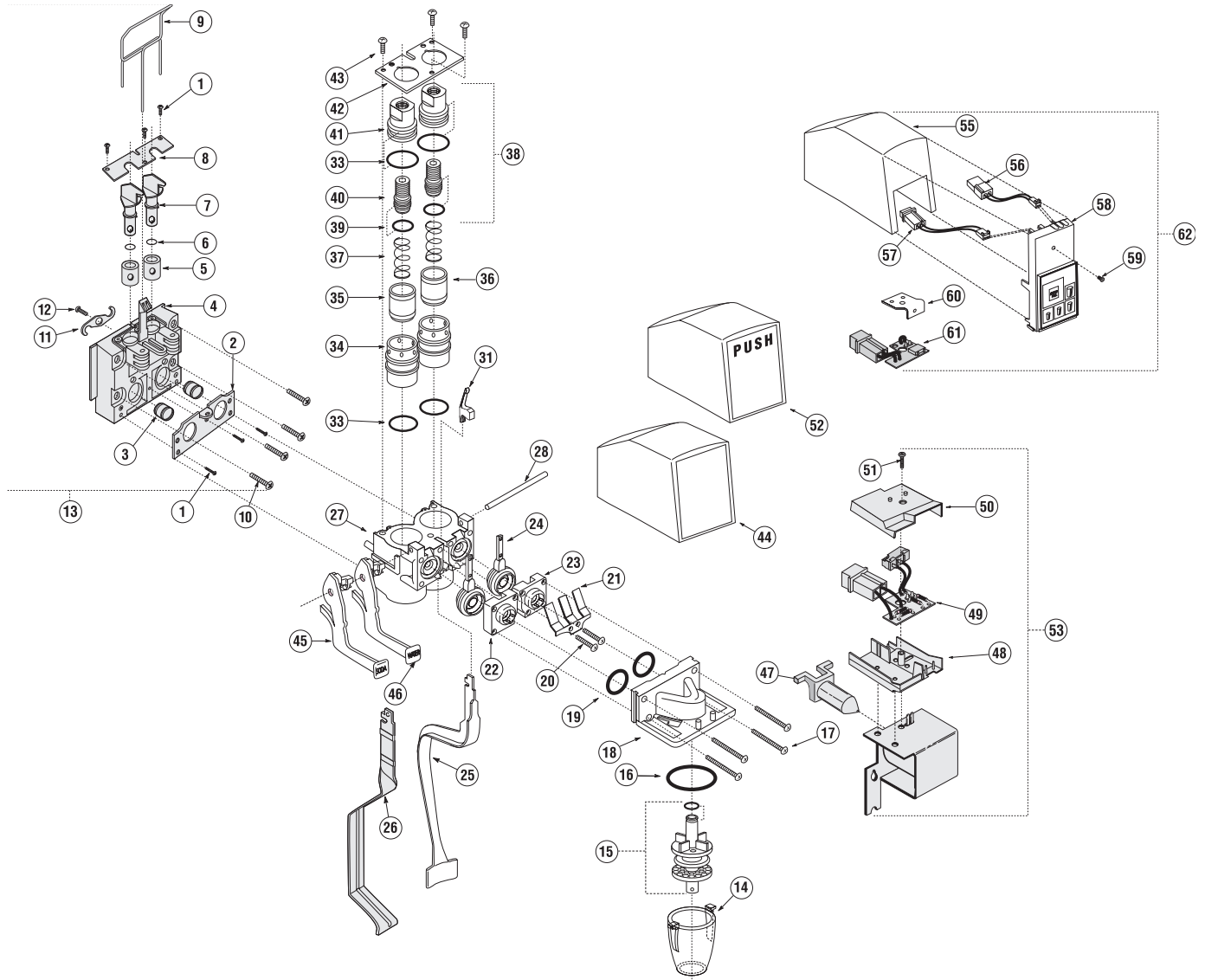




Flomatic

Flomatic 424 Post-mix Valve



REF NO.	PART NO.	DESCRIPTION	REF NO.	PART NO.	DESCRIPTION	REF NO.	PART NO.	DESCRIPTION	REF NO.	PART NO.	DESCRIPTION
1	553-00	Screw 6x7/16 PH SS	18	507-26-B	Diffuser block	41	609*	Nut – brix adjustment	61	769-P25	Printed circuit board – pc shunt
2	568*	SS Retainer – stem seal	19	509	O-ring (112)	42	610-04	Retainer plate (14G)	62	P25-1500	Portion control conversion Kit
3	528	Quad seal – stem	20	510	Screw 4-40x5/8 SS	43	611-01	Screw 6-32x1/4 SS	not shown 1094 TRUCK Parts kit		
4	562-80*	Mtg. block blank – 0.380" inlet	21	511	Spring pallet retainer	44	1521	Cover – black	not shown 1094 STOCK Parts stock kit		
-	562-72*	Mtg. block blank – 0.372" inlet	22	512-01 - B	Orifice cap – left	45	1028-S	Add-a-Lever "soda"	COMPLETE VALVE ASSEMBLIES		
5	527*	Boot seal – shut off	23	513-01 - B	Orifice cap – right	46	1028-W	Add-a-Lever "water"	424-CF-E35-1521		Valve – electric lever
6	543	O-ring (010)	24	515	Pallet	-	9770*	Solenoid coil (not sold separately)	424-CF-S35-1525		Valve – self-service
7	526*	Plug – shut off	25	516-09	Lever molded sanitary	47	763-01	Plunger - yoked single coil	424-CF-P35-1500		Valve – portion control
8	567*	SS Retainer – shut off plug	26	516-06	Lever SS sanitary	48	765-01*	Base – convertible switch hsg	Inquire about other 424 options.		
9	538-04	Latch pin – three point	27	600-06-B	Flow control base	49	769-U25	Printed circuit board – switch assy	*Parts not sold separately		
10	563-03	Mounting bolt – 10-32x7/8 SS	28	524-02	Pivot pin	50	766-01*	Cover – convertible switch hsg			
11	564	S-clip	31	517-04	Retainer cap electric	51	2611	Screw 6-32x5/8 SS			
12	565-02	Screw – 8x1/2 PH SS	33	608	O-ring (017)	52	1525	Cover self-service			
13	372-Q	Complete assembly – 0.372" inlet	34	602-02	Cylinder – ceramic	53	770-E35	Solenoid assy complete			
-	380-Q	Complete assembly – 0.380" inlet	35	604-02	Piston – soda	55	1500	Cover portion control			
14	501-24	Nozzle clear	36	603-02	Piston – syrup	56	817-02	Plug assy – 2 pin/2 wire			
15	504-10	Diffuser assy w/ o-ring	37	605-01	Spring – brix adjustment	57	817-03	Plug assy – 3 pin/2 wire			
-	543	O-ring (010)	38	642-00	Brix adjustment assy complete	58	832-01	Portion control module 4-cup			
16	500	O-ring (021)	39	551	O-ring (012)	59	805	Screw 6-32x5/8 SS			
17	505	Screw 4-40x1 SS	40	607*	Screw – brix adjustment	60	802-01	Portion control bracket			

